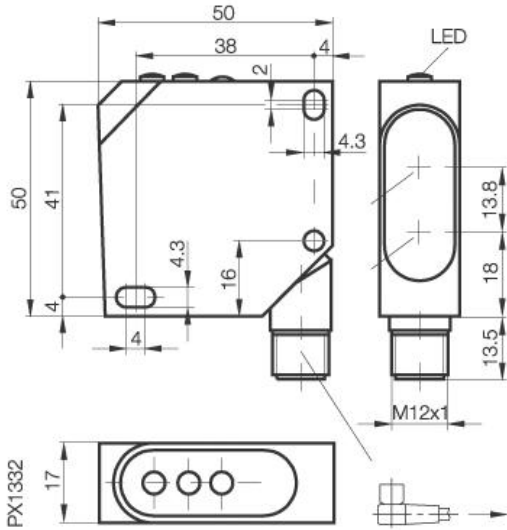


# Photoelectric Sensor BOD 26K-LA02-S 4-C Sn=85mm Distancesensor



## Common Data

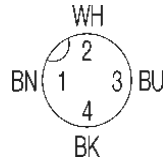
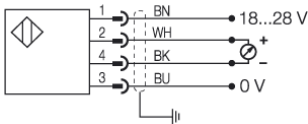
Series	BOD
Sensortype	Distancesensor
Switching frequency	40 Hz
Rated operating distance Sn in mm	85
asured operating distance Sa	45...85mm
Indication Supply Voltage	yes
Indication Special funktion	Contamination indicator,
green/red LED	
Ambient temperature	0...+45°C
On-delay	1ms
Off-delay	1ms
Light	Laser, red, 660nm, Protection
class 2	
Blind zone / min Reflector distance	45mm
Special funktion	Analog output 0...10V
Permissible ambient light	5000 Lux
Connection	analog

## Mechanical Data

Measurements	50X50X17
Housing material	ABS impact resistant
Material of sensing face	PMMA
Degree of protection	IP67
Connection	Connector S4 (M12)
Weigth	40g

## Electrical Data

Current	DC
Switching funktion	analog
Output	0...10V
Rated operational voltage Ue	24V
Rated operational current Ie	3mA
Supply Voltage	18...28V
Frequency of Supply Voltage	DC
No-load supply current	<35mA
Short protection	yes
Protected against polarity reversal	yes
Rated insulation voltage	250V AC



Utilization categories  
Insulation class

DC13

Datasheet number:

Definitions see general catalog.  
If not otherwise noted, ratings according to  
IEC 60947-5-2 (DIN EN60947-5-2)

Balluff GmbH  
Schurwaldstrasse 9  
73765 Neuhausen a.d.F.  
Phone (07158) 173-0 Fax (07158) 5010

Datenblatt by CD-ROM - 04/2007

**BALLUFF**  
sensors worldwide